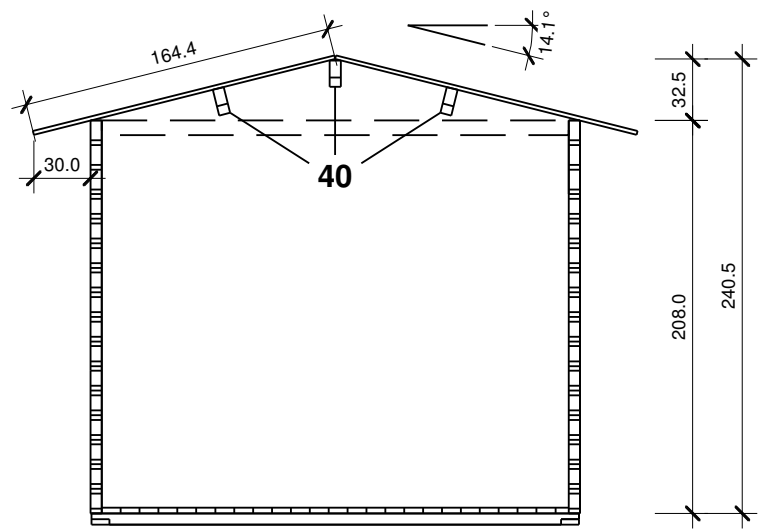
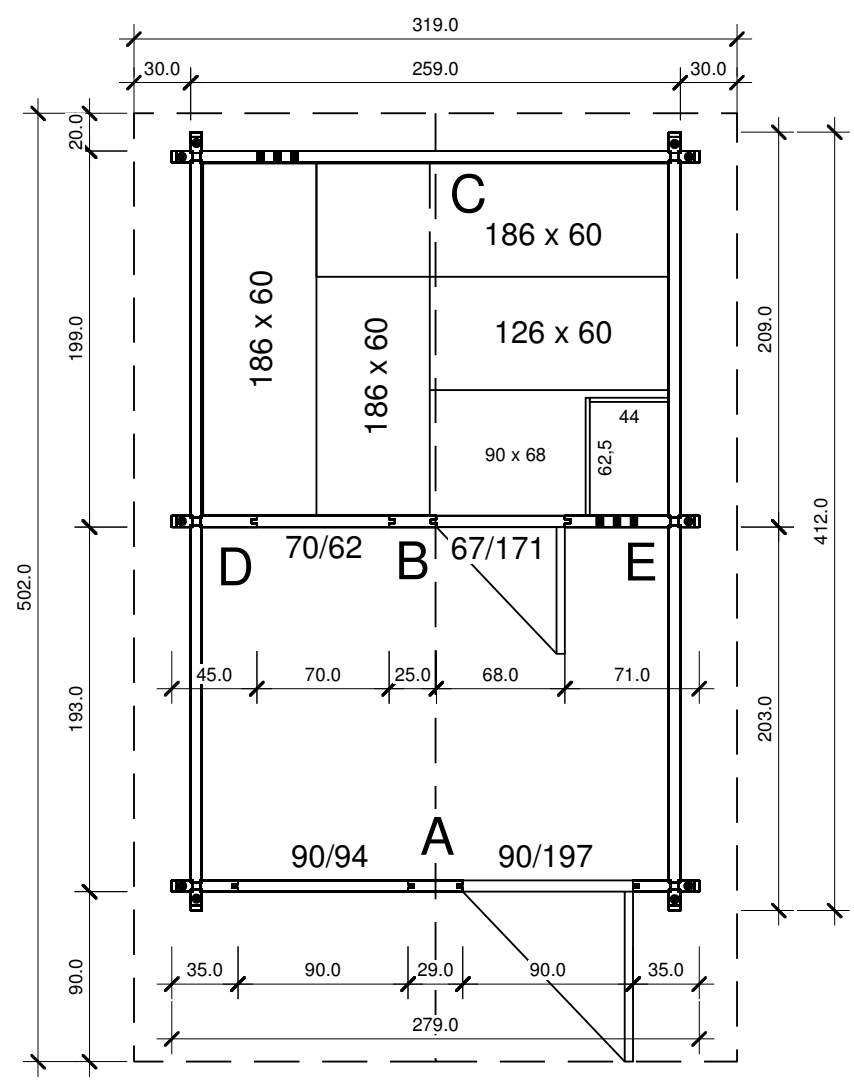
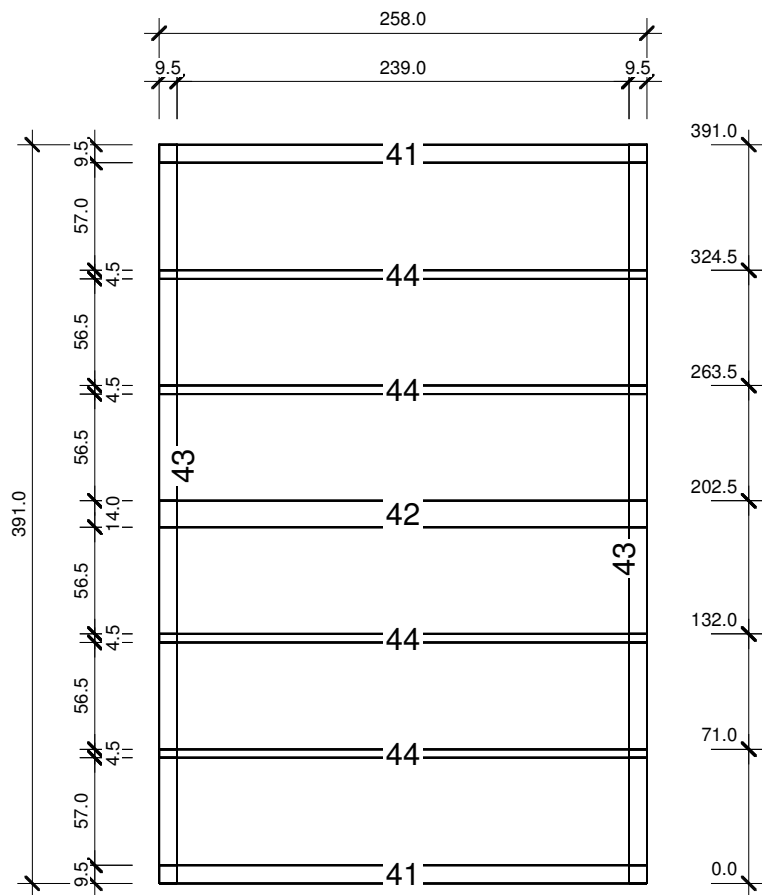


6,0

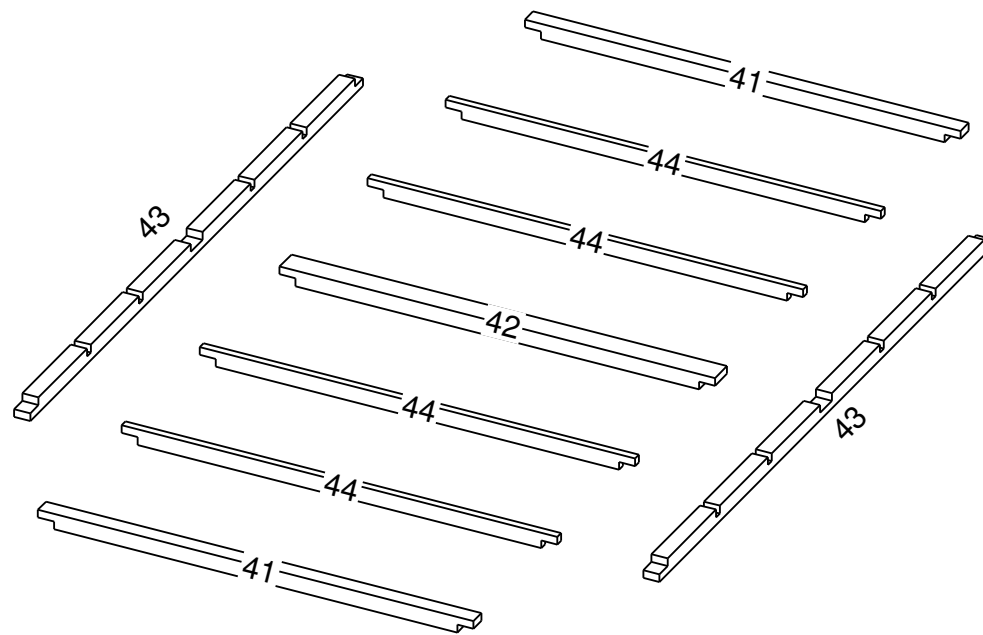


Projektas Uzsakymo Nr.	Brezinys Planas, pjuvis	Mastelis 1 : 40
NL-9-114		Data 2009 07 14
		Projektavo T. Kubiliunas

6,0



- Nr. 41 - Pagrindas 9,5 x 9,5 x 258 - 2 vnt.
- Nr. 42 - Pagrindas 14 x 9,5 x 258 - 1 vnt.
- Nr. 43 - Pagrindas 9,5 x 9,5 x 391 - 2 vnt.
- Nr. 44 - Lages 4,5 x 9,5 x 258 - 4 vnt.



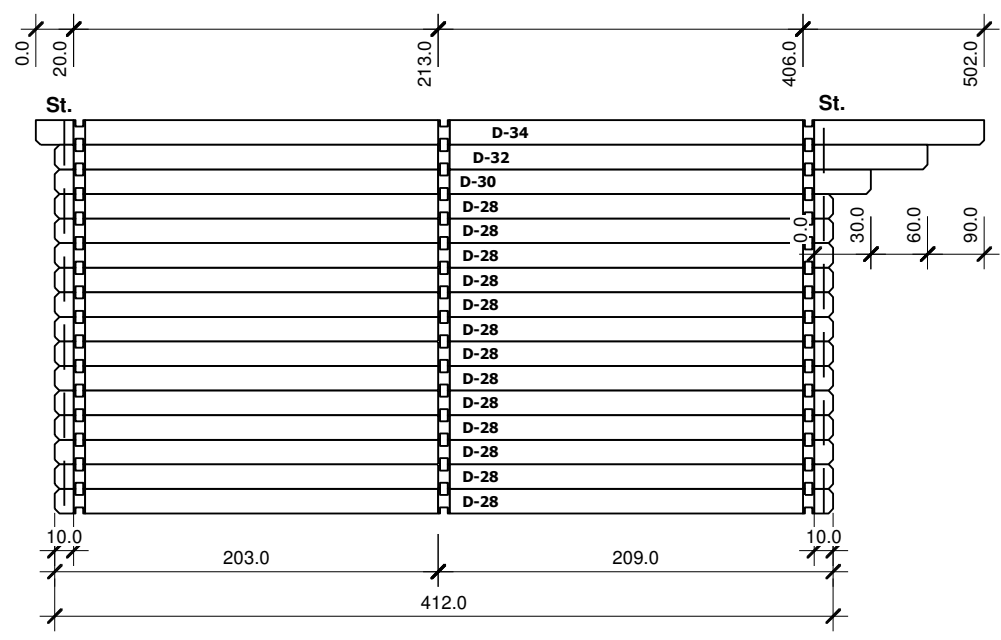
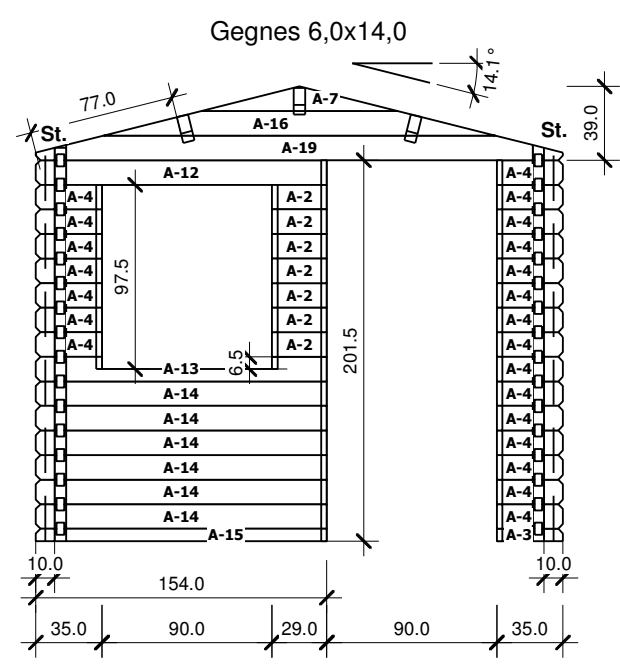
Projektas Uzsakymo Nr.	Brezinys Pagrindo planas	Mastelis 1 : 40
NL-9-114		Data 2009 07 14
		Projektavo T. Kubiliunas

6,0

A
M 1:40

sienos brezinys

Grupe	Nr.	Aukstis	Ilgis	Kiekis
A	2	13,0	29,0	7
A	4	13,0	35,0	22
A	12	13,0	154,0	1
A	14	13,0	154,0	6
A	3	6,5	35,0	1
A	15	6,5	154,0	1
A	13	13,0	154,0	1
A	7	13,0	103,6	1
A	16	13,0	207,2	1
A	19	13,0	279,0	1



D
M 1:40

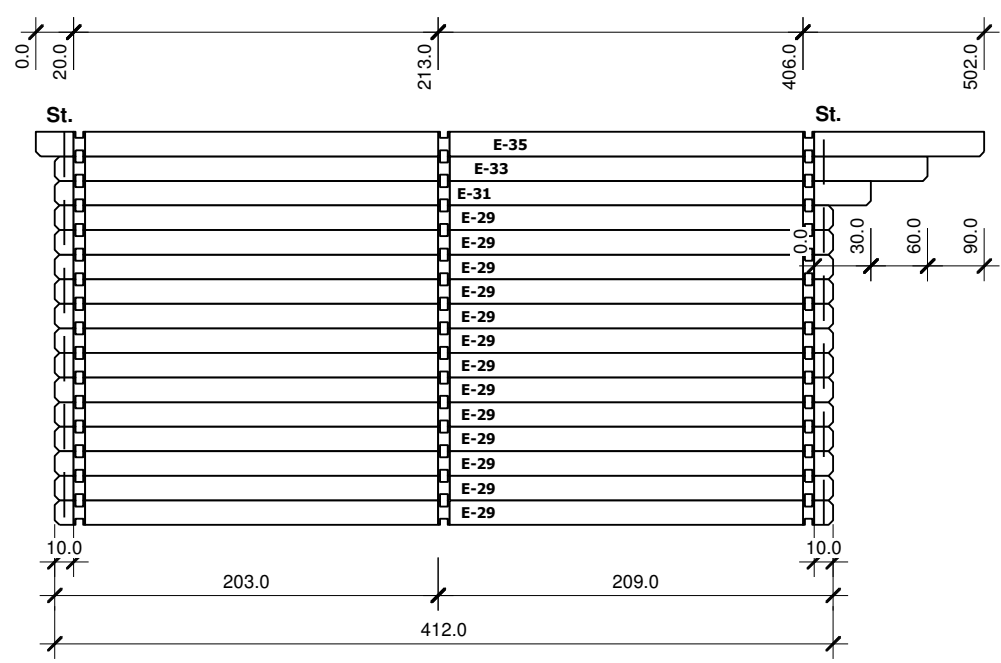
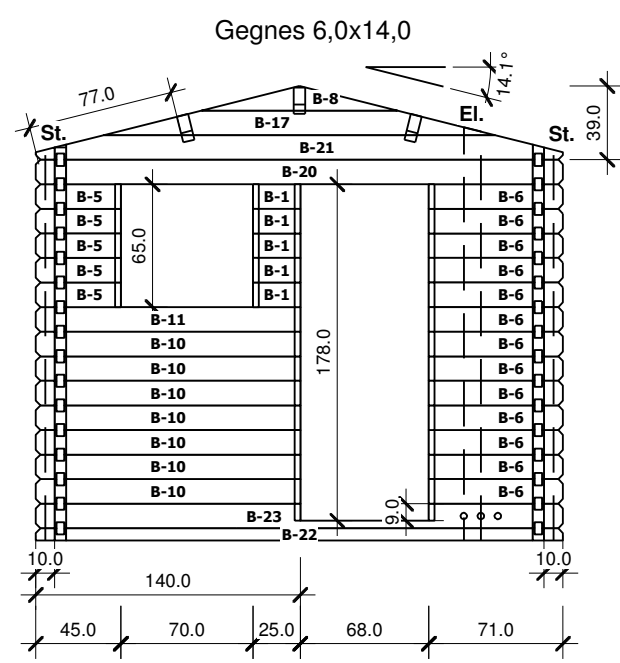
sienos brezinys

Grupe	Nr.	Aukstis	Ilgis	Kiekis
D	28	13,0	412,0	13
D	30	13,0	432,0	1
D	32	13,0	462,0	1
D	34	13,0	502,0	1

B
M 1:40

sienos brezinys

Grupe	Nr.	Aukstis	Ilgis	Kiekis
B	1	13,0	25,0	5
B	5	13,0	45,0	5
B	6	13,0	71,0	13
B	10	13,0	140,0	7
B	11	13,0	140,0	1
B	20	13,0	279,0	1
B	22	6,5	279,0	1
B	23	13,0	279,0	1
B	8	13,0	103,6	1
B	17	13,0	207,2	1
B	21	13,0	279,0	1



E
M 1:40

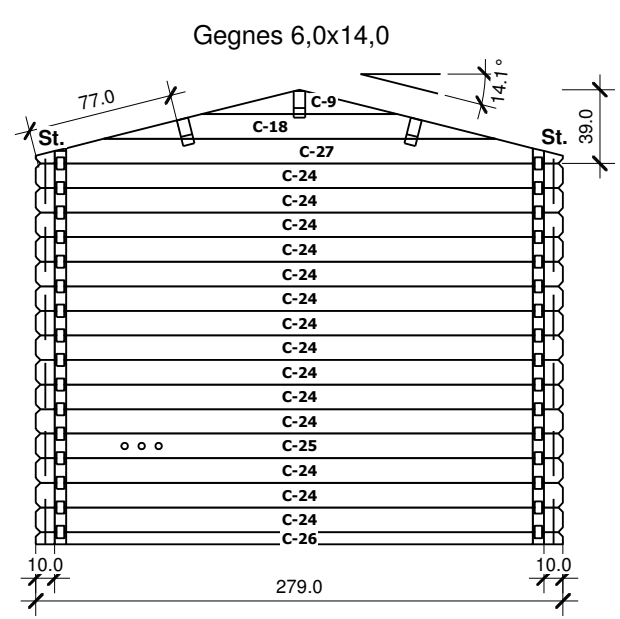
sienos brezinys

Grupe	Nr.	Aukstis	Ilgis	Kiekis
E	29	13,0	412,0	13
E	31	13,0	432,0	1
E	33	13,0	462,0	1
E	35	13,0	502,0	1

C
M 1:40

sienos brezinys

Grupe	Nr.	Aukstis	Ilgis	Kiekis
C	24	13,0	279,0	14
C	26	6,5	279,0	1
C	25	13,0	279,0	1
C	9	13,0	103,6	1
C	18	13,0	207,2	1
C	27	13,0	279,0	1



Atliko:	T. Kubiliunas	Data	14.07.2009	Projekto. Nr.:	NL-9-114	Namelio modelis:	S-20
				Grupe(siena):	A,B,C,D,E	2,59x3,92x60mm	
				Sienos storis:	6.0cm		